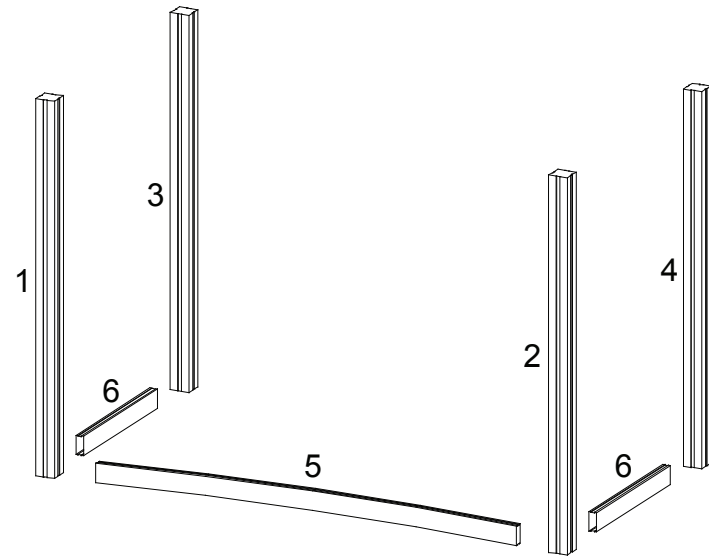
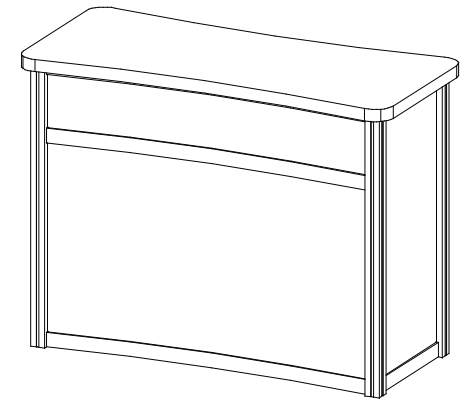


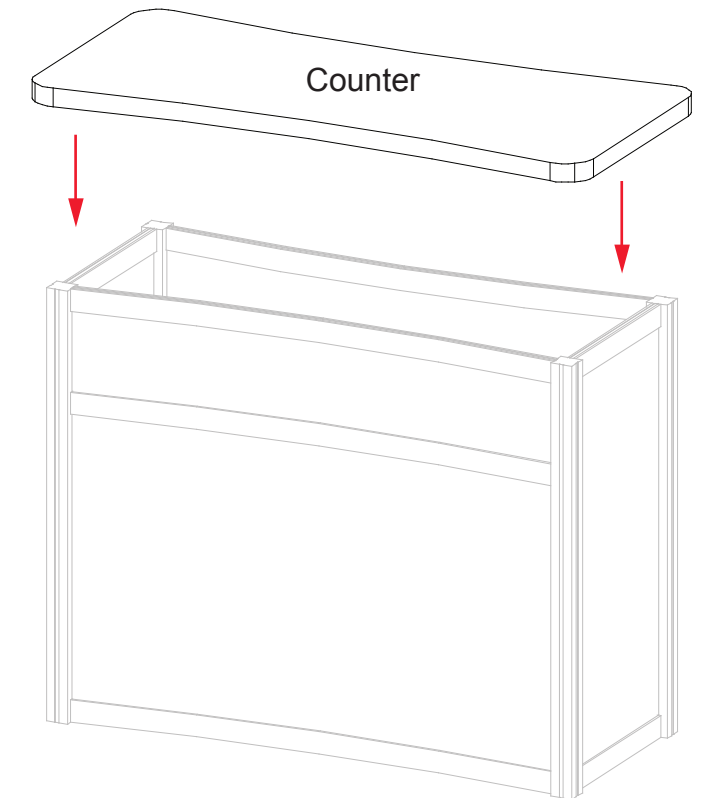
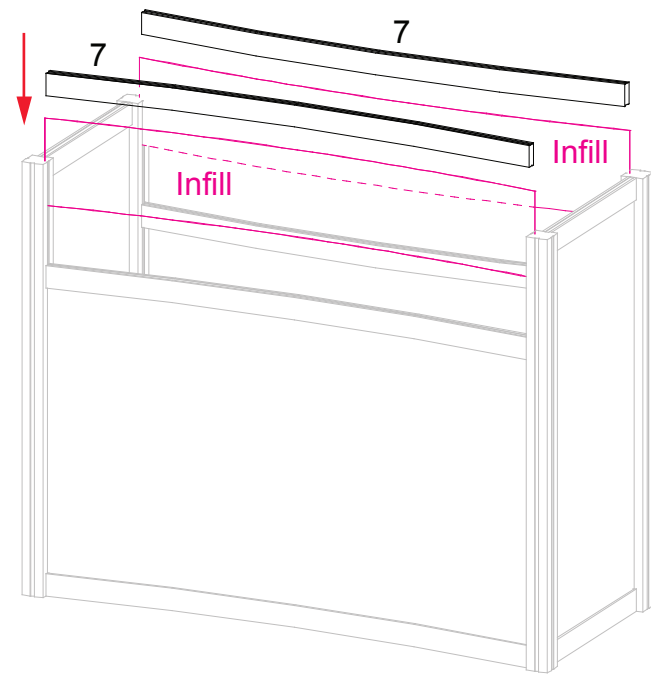
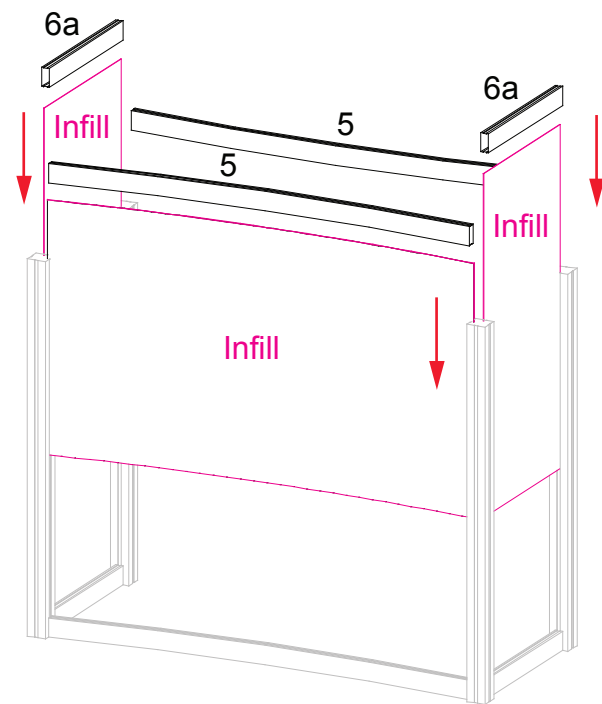
Item	Qty.	Description
1	1	35" h Vertical Extrusion
2	1	35" h Vertical Extrusion
3	1	35" h Vertical Extrusion
4	1	35" h Vertical Extrusion
5	3	41.2519" Curved Horizontal Extrusion
6	2	15" w Horizontal Extrusion
6a	2	15" w Horizontal Extrusion
7	2	41.2519" Curved Horizontal Extrusion

When assembled



Steps:

- 1) Attach lower horizontals between verticals.
- 2) Slide infills between verticals and rest atop lower horizontals.
- 3) Attach upper horizontals between verticals.
- 4) Slide Infills between verticals and set on top of horizontals.
- 5) Attach upper curved horizontals [7] between verticals.
- 6) Set Counter top on top of assembled pedestal base; secure in place with spring latch on underside of counter.



SETUP INSTRUCTIONS

General Setup Instructions

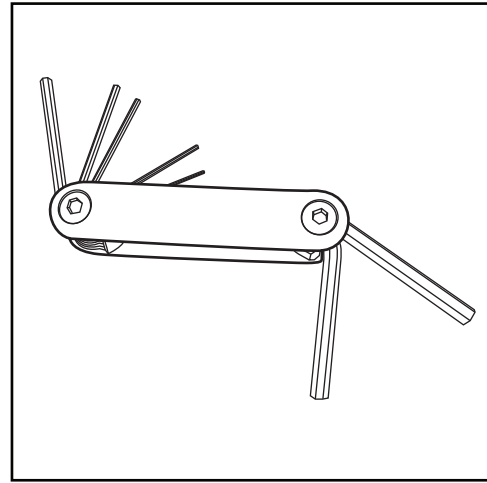
- Read entire setup instruction manual prior to unpacking parts and pieces.
- The setup instructions are created specifically for this configuration.
- Setup instructions are laid out sequentially in steps, including exploded views with detailed explanation for assembly.

Cleaning & Packing

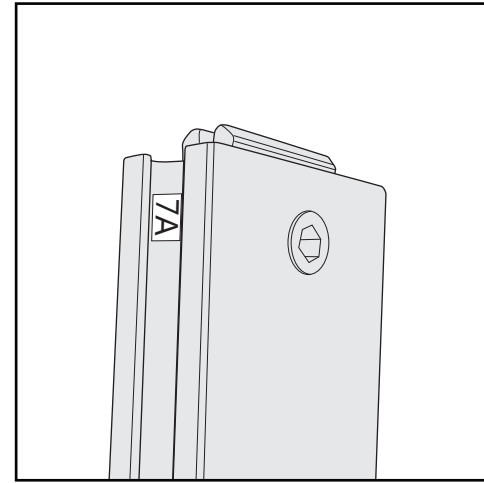
- For Cleaning Metal, Plex, & Laminate Parts: Use a **MILD NON-ABRASIVE** cleanser and soft cloth/paper towel to clean all surfaces.
- Keep exhibit components away from heat and prolonged sun exposure.
Heat and UV exposure will warp and fade components.
- Retain all provided Packing Materials. All provided packing materials are for ease of repacking & component protection.

Disassembly

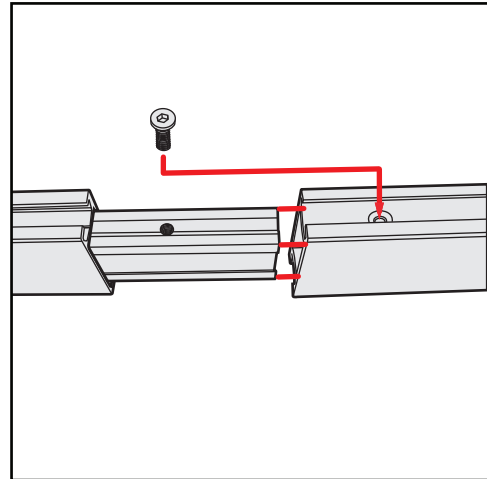
- For loss prevention, tighten all set screws and locks during disassembly.



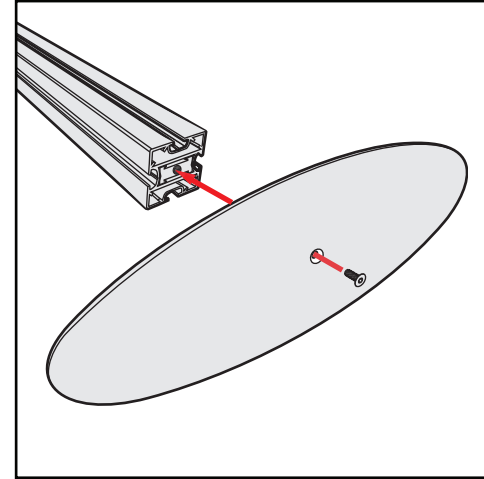
Hex Tool - Essential for Assembly



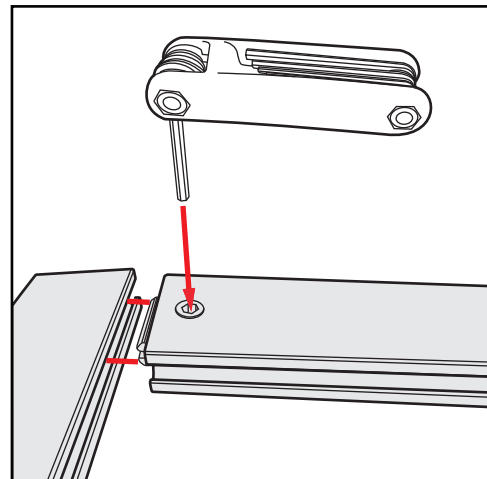
Part Identification - Numbering



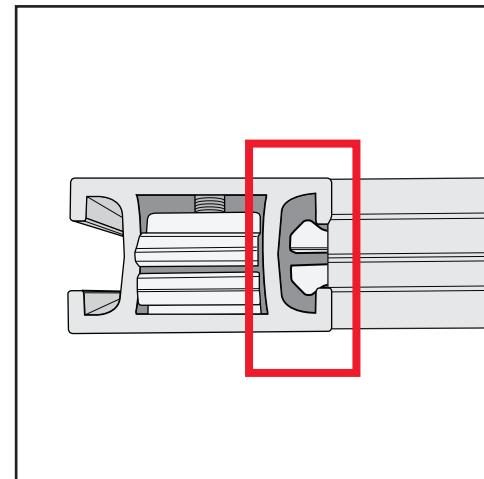
Spline Connection



Base Plate & Extrusion Connection



Extrusion & Lock Connection



Engaged Lock



WARNING



DO NOT USE POWER TOOLS



LADDERS OR LIFTS
MAY BE REQUIRED



ALL CONNECTIONS MUST
BE TIGHTLY SECURED